

Projekt: Brf. Brommaplatån

Datum: 06-11-15
Ändr.datum:

Solavskärmning - Se bifogade bilagor 1 och 2 och materialprov 86-2011.

SOLOSCREEN SC 75, SC 100. Se bilaga 1.

Utvändig solskyddsgardin och kassett med bottenlist och styrskenor av aluminiumprofiler. Profilerna lackas i en ljusgråkulör som motsvarar fönstrenas kulör NCS S 2500-N.

Den utvändiga gardinväven heter Soltis 86 -2011, (ljusgrå). Se bilaga 2.

Insynsskydd balkong – Se bifogat materialprov 79.

Sun off Architect 2004, 79, S 3502-B.

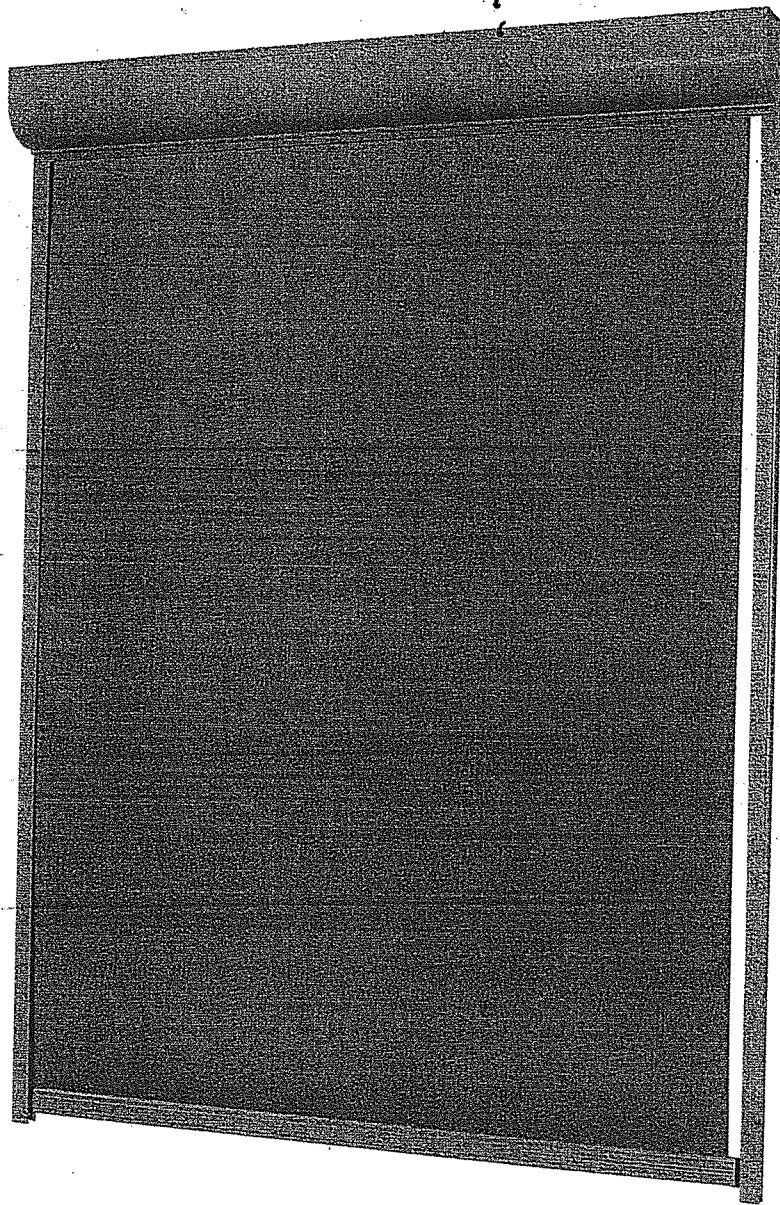
Berglunds Persiennfabrik

Fraktflygargatan 7
128 30 Skarpnäck
tel: 08-648 67 00
www.berglundsab.se

Sun off

Hornsbergsvägen 17
112 51 Stockholm
tel: 08-23 90 45
www.sunoff.se

BILAGA 1.



Sun off®

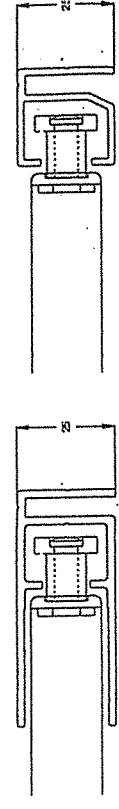
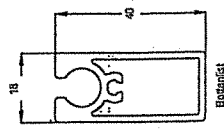
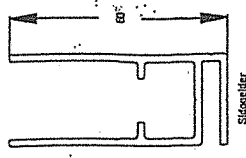
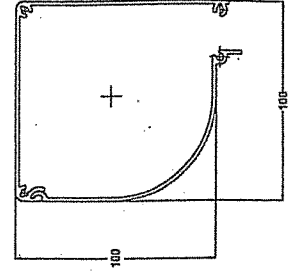
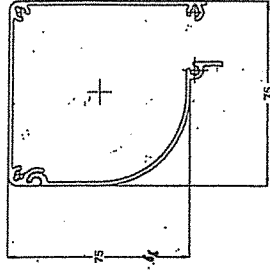
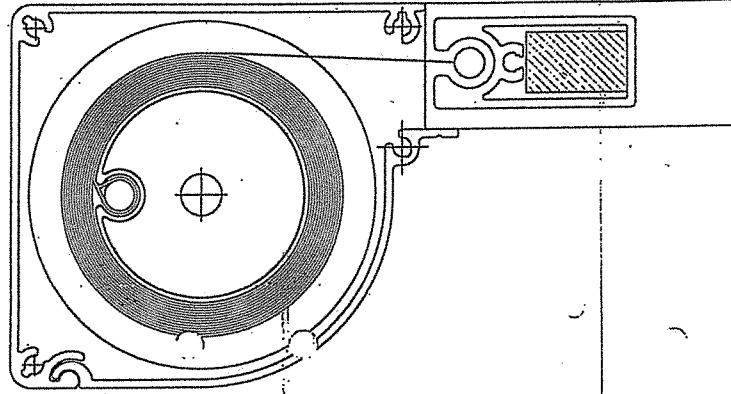
Tel. 020-920 920 • info@sunoff.se • www.sunoff.com

W
A.S

SOLOSCREEN SC 75, SC 100.

BILAGA 1

Utvändig solskyddsrollgardin med duk av glasfiberväv.
Duken ger effektiv solavskärmning utan att helt ta bort utsikten genom fönstret.



PRODUKTBEKRIVNING

Kassett, bottenlist och styrskenor av strängpressade aluminiumprofiler.

Kassett SC 75	75 x 75 mm
Kassett-SC 100	100 x 100 mm
Bottenlist	18 x 40 mm
Styrskena	25 x 25 mm

Duk av vävt, PVC-belägt glasfiberbarn. 42 % glasfiber och 58 % PVC. Vikt 525 g / m² alt. 460 g/m².

Dukens solvärmereduktion är 80 - 85 %.

Dukens profiler och kanter lägrekvenssvetsas. Kanterna förses även med påsvetsat kantband.

Manövrering med dragband, vev eller motor. Vid motordrift kan produkten seriefkopplas och utrustas med centralstyning och sol/vind automatik.

Utseende

Profilerna levereras som standard natur- eller vit-anodiserade men kan även ermållas lackerade i önskad kulör enligt RAL-skalan.

Duken finns i ett flertal kulörer.

Underhåll

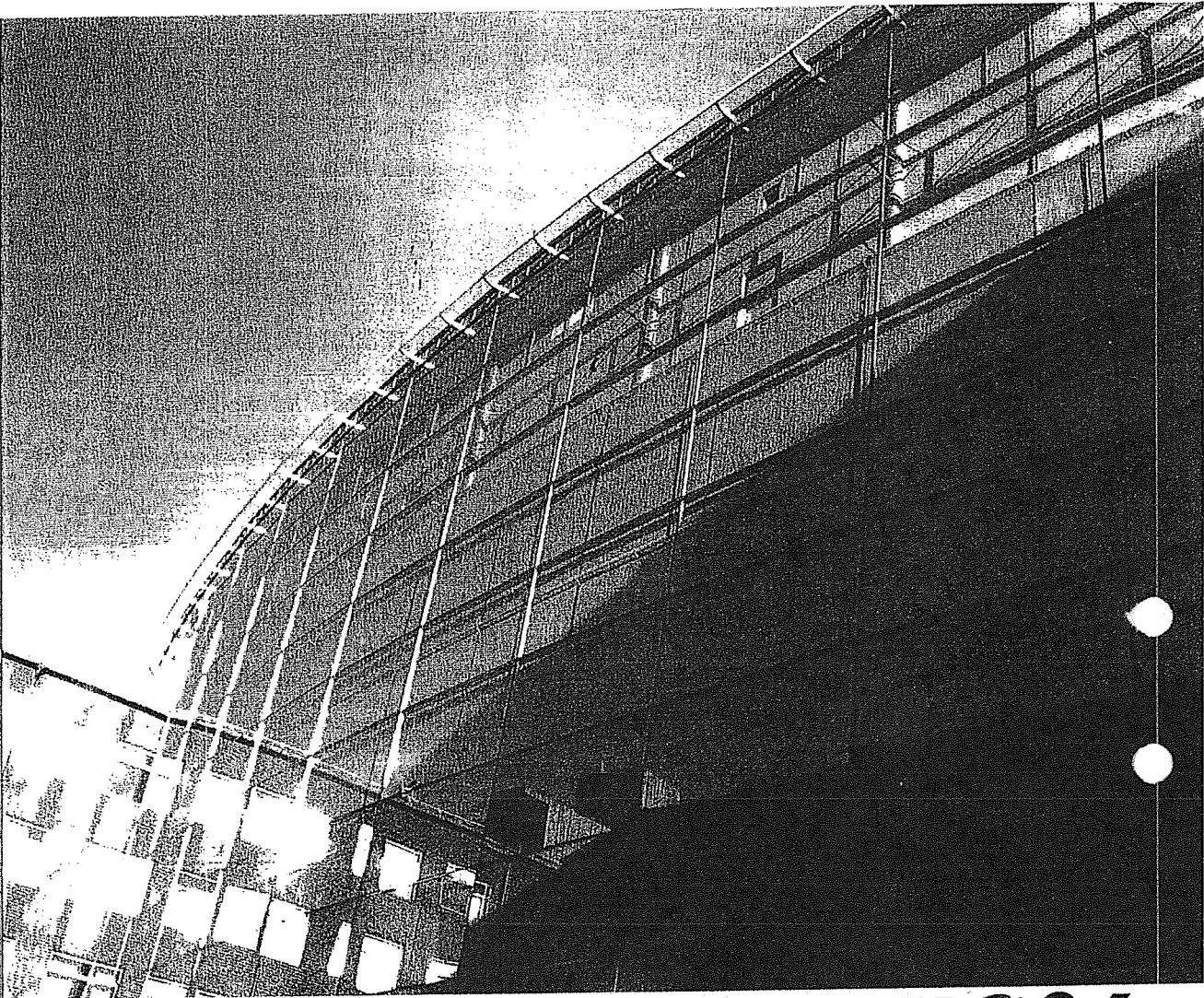
Produkten kan rengöras med mild tvålösning exempelvis i samband med fönstertvätt.

Mått	Bredd
SC 75	2000 mm
SC 100	3000 mm

Höjd
2000 mm
1800 mm
2000 mm
3000 mm

CE-märkning
Produkten är CE-märkt enligt EMC samt maskindirektiven AFS 1994:48.

W
MS



SOLTIS® 86

S O L A R P R O T E C T I O N

BILAGA 2.

Sun off

08 - 23 90 45

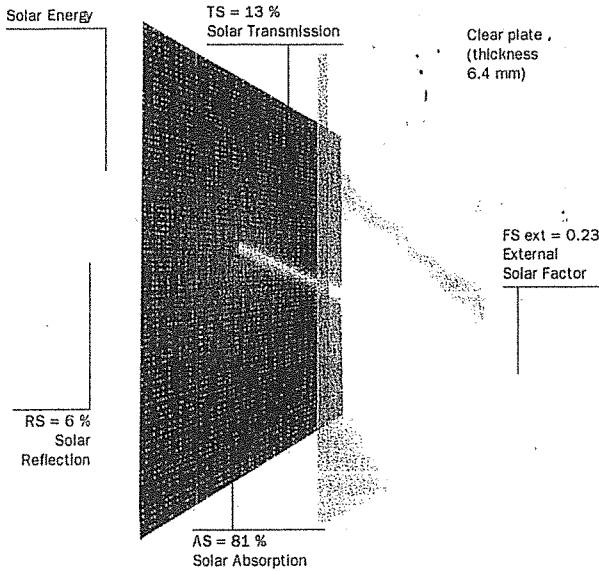
FERRARI



W
A-5

SOLTIS® 86, A SOLAR PROTECTION WHICH ALLOWS MORE LIGHT TO PENETRATE

Example of values given for the colour 86-2047



For special uses, Soltis® 86 is the ideal fabric, a compromise between necessary solar protection and the need for more light.

Soltis® 86 eliminates up to 86% of the sun's rays, which is a major contribution to building heat control.

North facing facades or those of glass requiring greater light are areas where Soltis® 86 textile completely fulfills its role. It also enables greater external visibility and a visual comfort much appreciated in numerous types of architecture.

SOLTIS® 86 PROPOSES NEW METALLIC ASPECTS AND A COORDINATED RANGE

Soltis® 86 complements perfectly the Soltis® 92 range. All the colours of the Soltis® 86 range are also available in the Soltis® 92 range, which enables all building facades to be covered with relevant heat and light requirements for each of them.

The innovating metallic aspects of Soltis® 86 gives new possibilities for harmonising solar protection textiles with the building and its environment.

The aluminium, gold and copper shades meet modern architectural requirements.

SOLAR AND LIGHT CHARACTERISTICS

Reference	TS	RS	AS	TV	FS ext 1/4" CL	FS Int 1/4" CL	Code NCS
86-2001	27	53	20	22	0.30	0.42	1003 R 05 B
86-2002	24	45	31	22	0.28	0.47	2010 Y 30 R
86-2003	22	42	36	21	0.27	0.48	2005 Y 50 R
86-2006	29	56	15	26	0.31	0.40	/
86-2011	19	34	47	19	0.25	0.53	/
86-2012	24	41	35	19	0.29	0.50	4010 Y 30 R
86-2022	20	27	53	21	0.27	0.58	5010 R 70 B
86-2024	30	48	22	23	0.33	0.46	0765 Y 17 R
86-2027	26	41	33	19	0.30	0.50	1473 Y 95 R
86-2030	23	19	58	20	0.30	0.64	5050 R 70 B
86-2035	19	18	63	19	0.27	0.64	4837 B 77 G
86-2040	16	11	73	18	0.25	0.68	6020 R 90 B

Reference	TS	RS	AS	TV	FS ext 1/4" CL	FS Int 1/4" CL	Code NCS
86-2042	24	30	46	18	0.30	0.57	5040 R 20 B
86-2043	14	9	77	17	0.23	0.69	7404 Y 51 R
86-2044	30	56	14	26	0.32	0.41	0501 Y 17 R
86-2045	18	24	58	21	0.25	0.60	/
86-2046 A	19	37	44	19	0.25	0.51	/
86-2046 B	19	54	27	19	0.23	0.40	/
86-2047	13	6	81	16	0.23	0.71	/
86-2048	20	34	46	21	0.26	0.53	/
86-2053	15	4	81	18	0.25	0.73	S 8500 N
86-2069	16	18	66	18	0.24	0.64	S 4502 B
86-2077	18	37	45	17	0.24	0.51	/
86-2078	22	35	43	21	0.28	0.53	/

TS : Solar Transmission in %
RS : Solar Reflection in %
AS : Solar Absorption in %

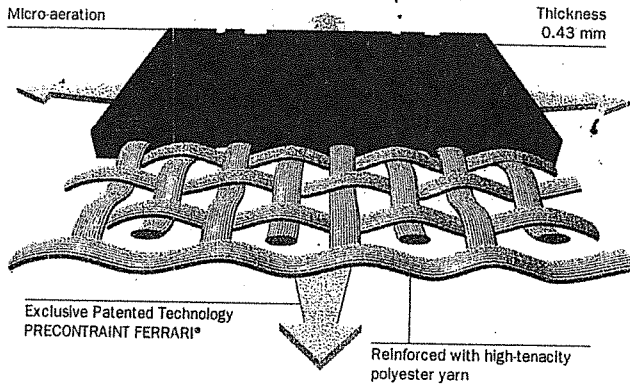
TS + RS + AS = 100% of incident energy
TV : Visible light Transmittance in %

FS ext. : external Solar Factor
FS Int. : internal Solar Factor
1/4" CL : clear plate, thickness 6.4 mm
(measured by Matrix Inc. U.S.A according to ASHRAE 74-1988)

A : aluminium side exposed to the sun
B : colour side exposed to the sun

Handwritten notes: "W" and "CA-5" with a diagonal line.

SOLTIS® 86, A PRECONSTRAINT FERRARI® TECHNICAL TEXTILE



Manufactured according to the exclusive Préconstraint Ferrari® patented technology, Soltis® 86 textiles are maintained under tension during the whole production process.

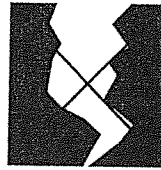
The result is a very important dimensional stability of Soltis® textiles which do not bag during installation procedure or intensive use.

SOLTIS® 86, OCCUPIES VERY LITTLE SPACE



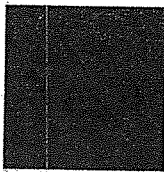
Having a thickness of 0.43 mm, Soltis® 86 textiles **integrate more easily into smaller cases** and enable a greater length of fabric to be rolled up.

SOLTIS® 86, RESISTS TEARING WITHOUT EXTRA REINFORCEMENT



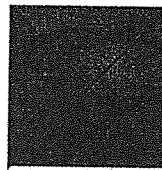
Soltis® 86 textiles are wind and weather resistant. **The high-tenacity polyester yarn reinforcement** makes them exceptionally resistant to wind and intensive use.

SOLTIS® 86, WILL NOT SAG



Due to their double resistance to warp and weft stretching, Soltis® 86 **textiles are not subject to any deformation**. Fit for use in temperatures ranging between -30°C and $+70^{\circ}\text{C}$, **they are suitable for all surface areas, and especially large areas** in which their dimensional stability is unrivalled.

SOLTIS® 86, IS LONG LASTING AND RESISTANT TO DIRT



The quality of polymers used in the manufacture ensures **high colour-fastness**. Dirt does not stick to Soltis® 86 due to its smooth even surface structure. Maintenance of Soltis® 86 textiles **simply consists of washing with water and neutral detergent**. (see "Soltis® Maintenance instructions").

SOLTIS® 86, A SAFE TEXTILE

With a 5 year guarantee and certified ISO 9001, Soltis® 86 is the textile giving total reliability.



100% recyclable textile



Handwritten initials and signature: A-J, [Signature]